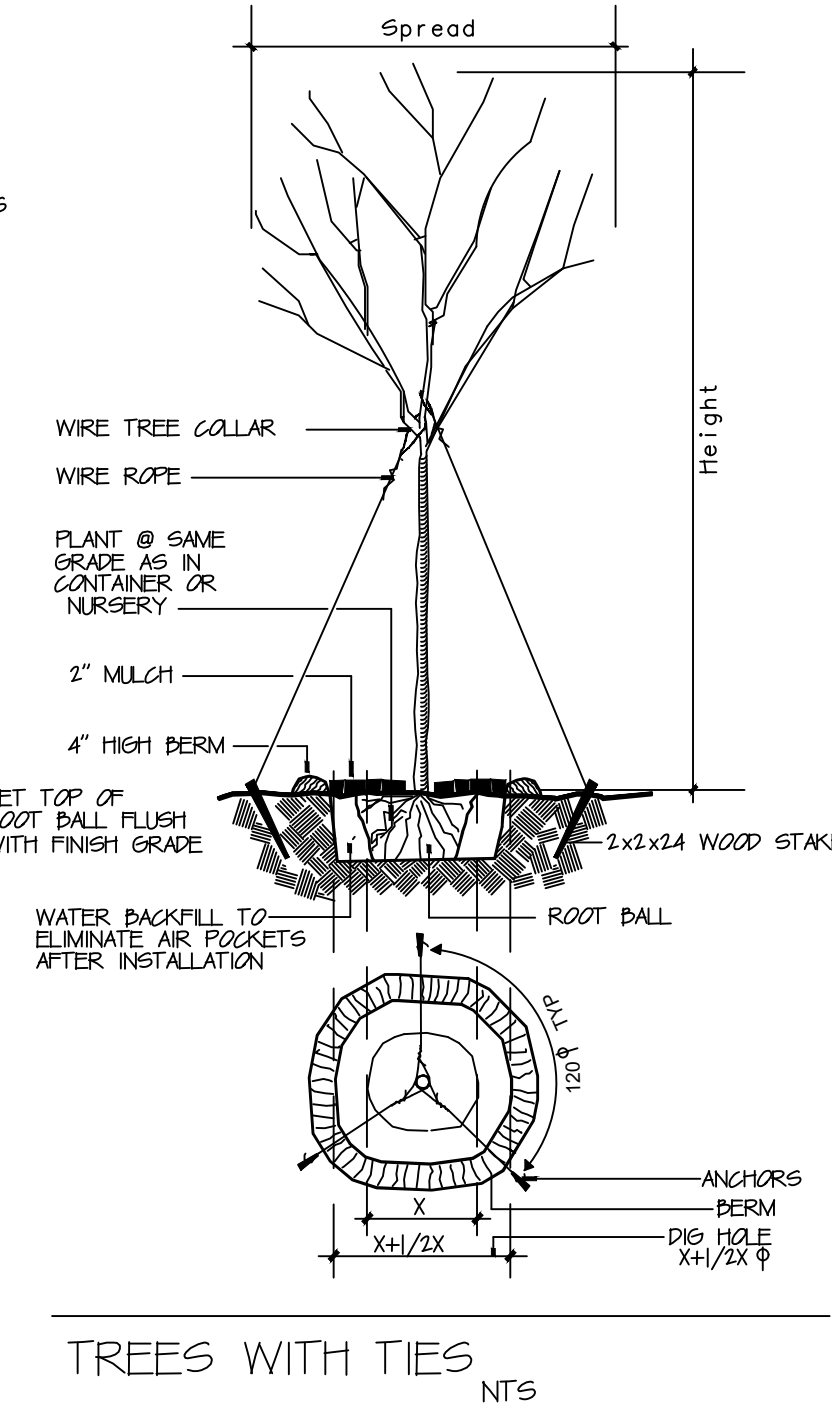
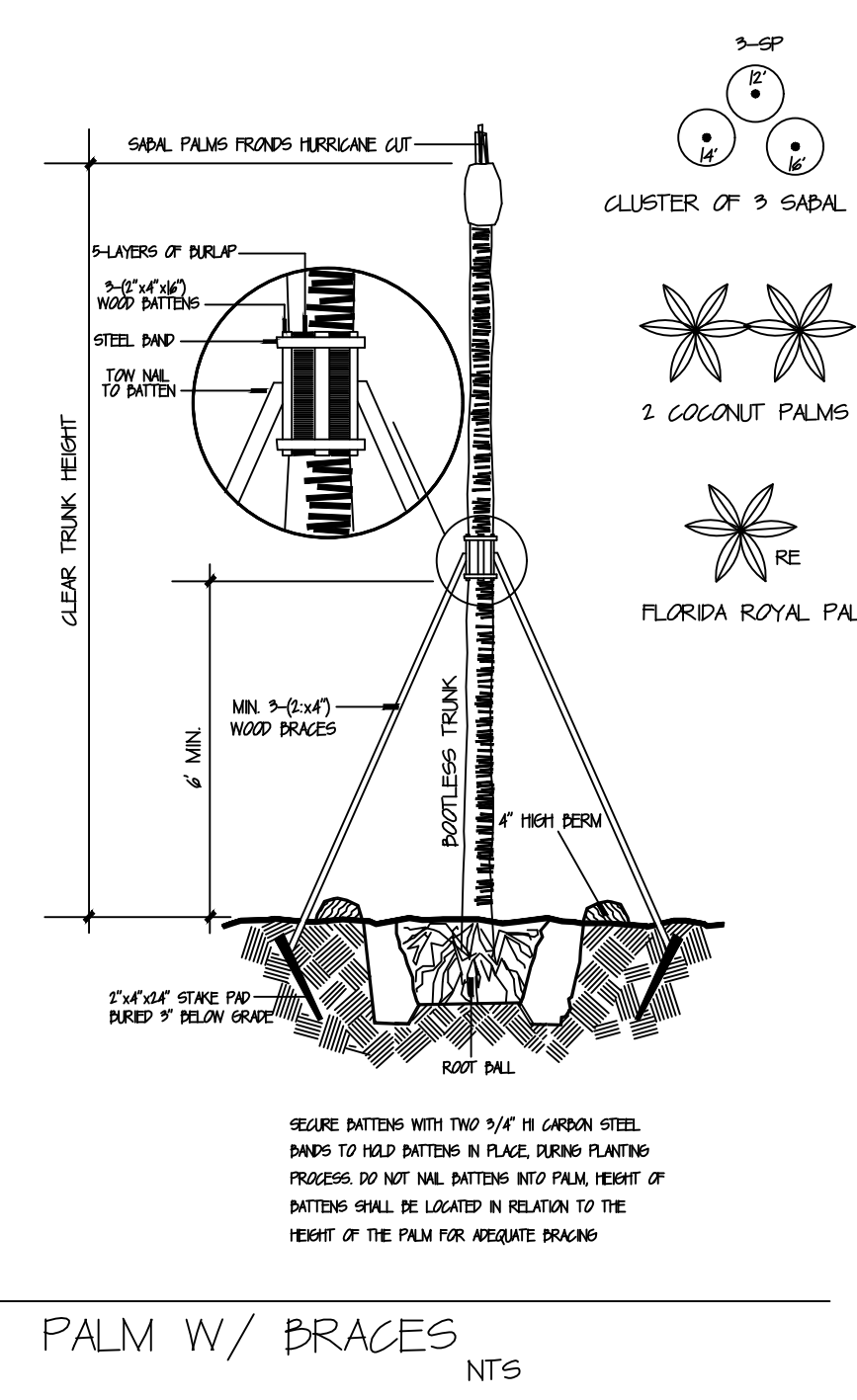
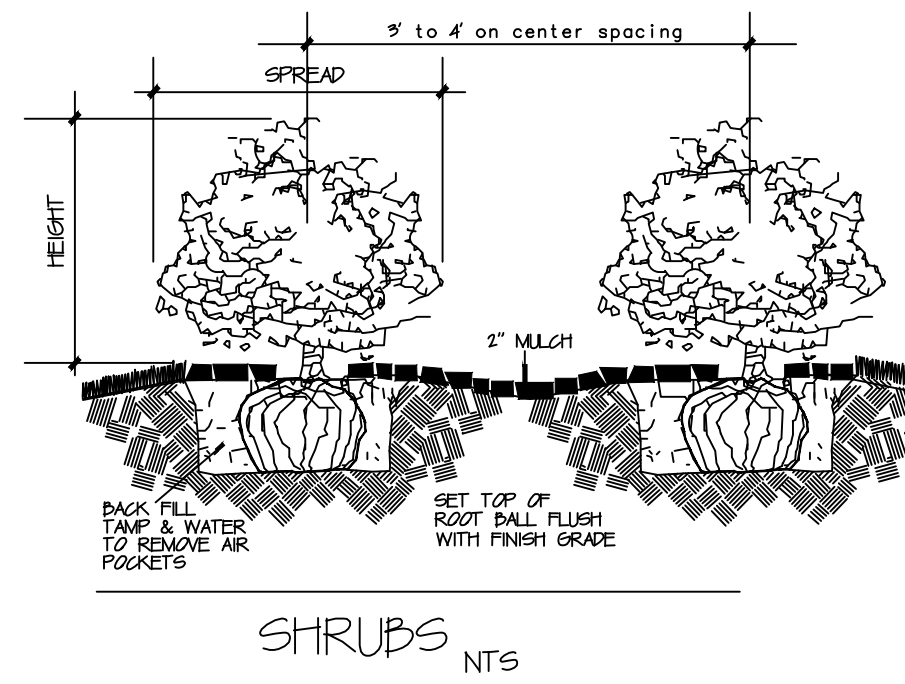


LANDSCAPE CALCULATIONS

- I. COMMERCIAL TREE REQUIREMENT
22,800 sf / 9,200 sf = 2.5 trees
- II. INTERIOR LANDSCAPING
18,000 x 10% = 1,800 sf req'd/1,800 sf provided
1,800 sf / 250 sf/tree = 7 trees
- III. LANDSCAPE TYPE BUFFERS
TYPE A LANDSCAPE BUFFER
360 lf / 30 lf/tree = 12 trees
TYPE C LANDSCAPE BUFFER
972 lf / 3 lf/shrub X 2 = 240 shrubs
- IV. BUILDING PERIMETER PLANTING
27,000 sf x 10% = 2,700 sf req'd, 2,700 sf provide
- V. TREE & SHRUB TOTAL
TREES 40 12' ht, 6" spd, 3" cal, 50% native
SHRUBS 454 2' ht, 3" o.c., 50% native
- VI. MULCH
All planting areas will be mulched with Flori Mulch at 2" thickness.

PLANT LIST

CODE	QUAN	BOTANICAL/Common Name	NATIVE	DROUGHT	SPECIFICATIONS
DS	15	Bursera simaruba/Jumbo limbo tree	•	••	12' ht/6" spd/3" cal/6" cl/85 gal
JC	4	Jacaranda cuspidata/Blue Jacaranda	•	••	12' ht/6" spd/3" cal/6" cl/85 gal
QV	6	Quercus virginiana/S Live oak	•	••	12' ht/6" spd/3" cal/6" cl/85 gal
CO	4	Cocos nucifera/Malayon Coconut palm	•••	•••	Clear trunk Height noted on plan/Palms 10'-12' o.c.
RE	2	Roystonia elata/Fla Royal palm	•••	•••	6' grey wood palms
SP	39	Sabal palmetto/Cabbage palm	•	•••	Clear trunk Height noted on plan/Palms 8'-10' o.c.
CU	15	Coccoloba uvifera/Sea grape	•	•••	2' ht/2" spd/3" o.c./3 gal
HO	368	Hamelia patens/Flrbrush	•	•••	2' ht/2" spd/3" o.c./3 gal
DT	394	Dianella toamanica/Blueberry flr fly	•••	•••	1' ht/2" spd/2" o.c./1 gal



LANDSCAPE KEY

- VISIBILITY TRIANGLE
- UTILITIES/OPL
- BUILDING PERIMETER PLANTING AREA

LANDSCAPE NOTES

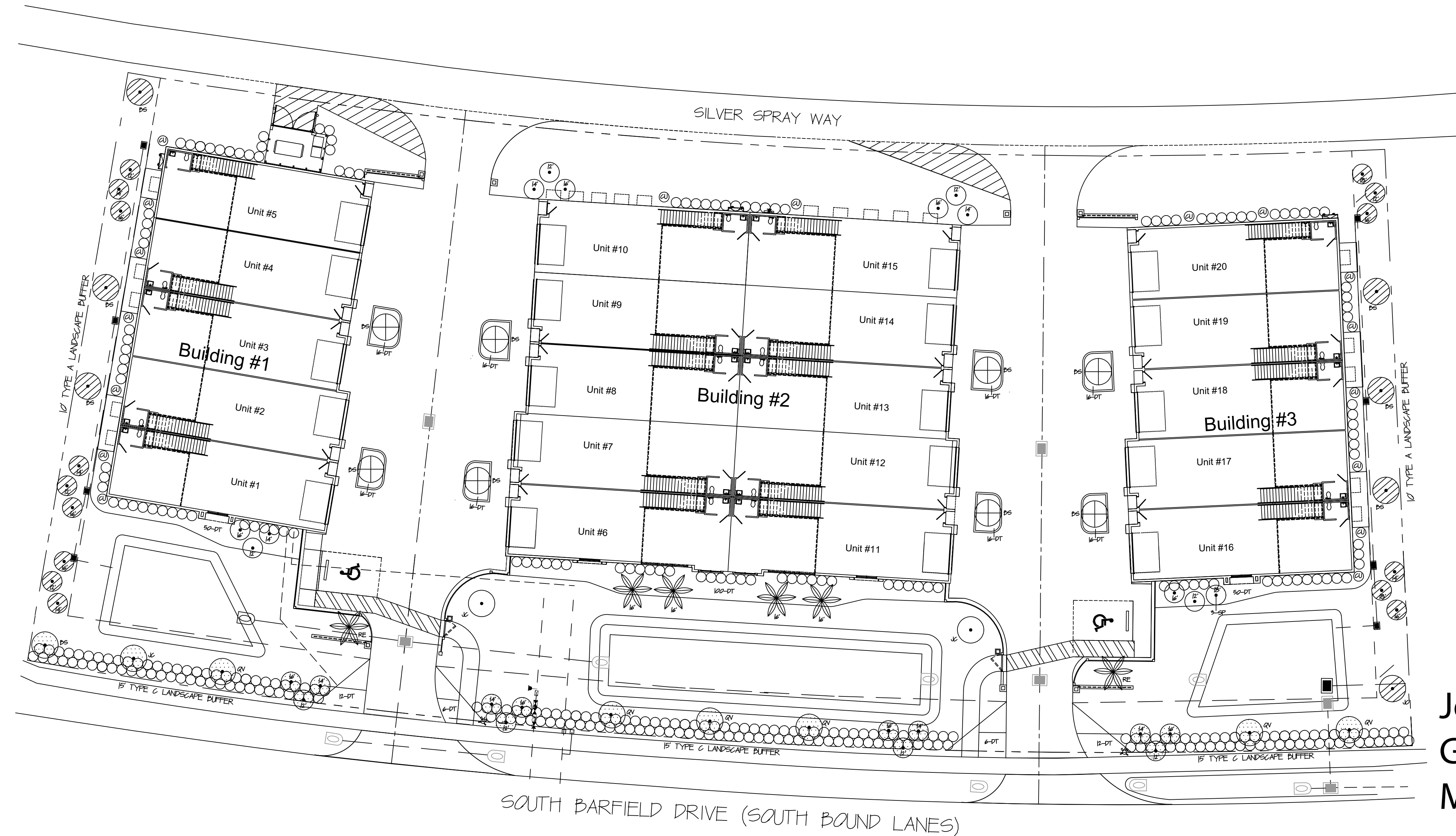
- Landscape Contractor is responsible to know existing site conditions and the location of all underground utilities prior to starting work.
 - Landscape Contractor shall repair any site utilities damaged during landscape installation at his own expense.
 - Landscape Contractor shall install all plants within 48 hours of delivery to the site.
 - All plants shown on Landscape Plans shall be nursery grown container (except for field grown trees/palms noted in Plant List) stock of Grade # One or better as defined in Grades and Standards for Nursery Plants, Fla Dept. of Agriculture and Consumer Services.
 - All sizes noted on Plant List are to be considered to be minimum. All plants shall meet or exceed these minimum requirement for height, trunk caliber and spread. Any other requirements for specific shape or effect as noted on Landscape Plan shall be required for acceptance. All trees are to be single trunked, unless otherwise noted on the landscape plans.
 - The Landscape Contractor shall verify the location of all trees and palms on site with Landscape Architect prior to installation.
 - Landscape Contractor shall remove all weeds, grass, debris, rocks and finish grade planting areas prior to installation and remove all collected debris to an approved disposal area. Any building construction material discovered when digging plant holes shall be removed and replaced with acceptable backfill.
 - Landscape Contractor shall install trees in holes that are twice the width of root ball and equal in depth of root ball. Backfill until ground is firm and voids or air pockets are filled with soil.
 - Landscape Contractor shall install all ground cover plants 12" and shrubs 24" away from edges of all walks, driveways and walls.
 - Landscape Contractor shall guarantee in writing trees for 1 year and shrubs for 90 days after landscape installation is completed and accepted by the Owner.
 - Irrigation system shall be operational before starting any landscape installation.
 - No substitutions of plants without Landscape Architect's review and written approval.
 - Mulch building planting areas and 5' circles around trees/palms in sod with Florimulch at 2" thickness.
 - Sod areas not planted with St Augustine Floratam sod.
- GENERAL MAINTENANCE SPECIFICATIONS**
- Remove only dead or damaged tree limbs or branches.
 - Remove tree/palms guys/stakes/wood braces 12 months after installation.
 - Property owner shall maintain landscape areas free of prohibited exotic vegetation.

JEFF MOORE
LANDSCAPE ARCHITECT

Clearwater, Florida
239 572 0226

**CODE REQUIRED
LANDSCAPE PLAN**

MARCO LUXE SDP
136-168 SOUTH BARFIELD DRIVE
CITY OF MARCO ISLAND, FLORIDA

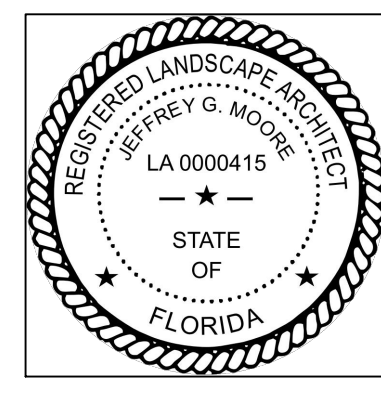


MARCO ISLAND FLORIST

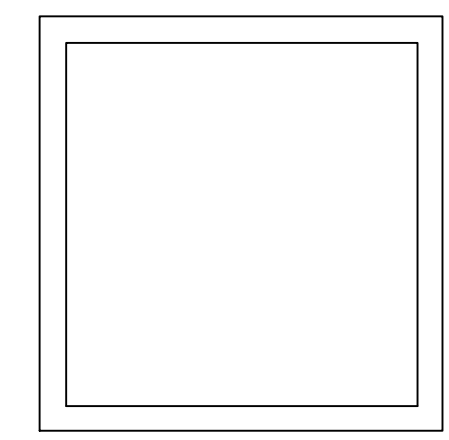
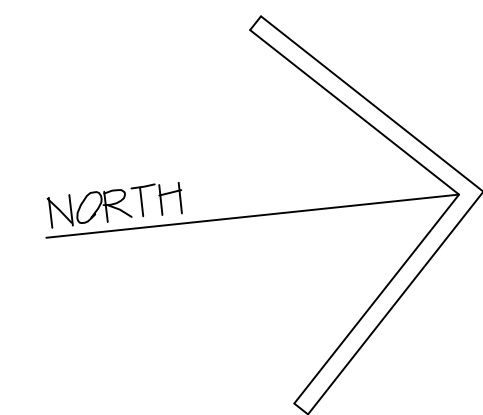
NAPA AUTO PARTS

SCALE: 1"=20'
DATE: 5/24
REVISIONS
REVIEW COMMENTS 6/24

Jeffrey G. Moore
Digitally signed by Jeffrey G. Moore
Date: 2024.07.09 16:28:40 -04'00'

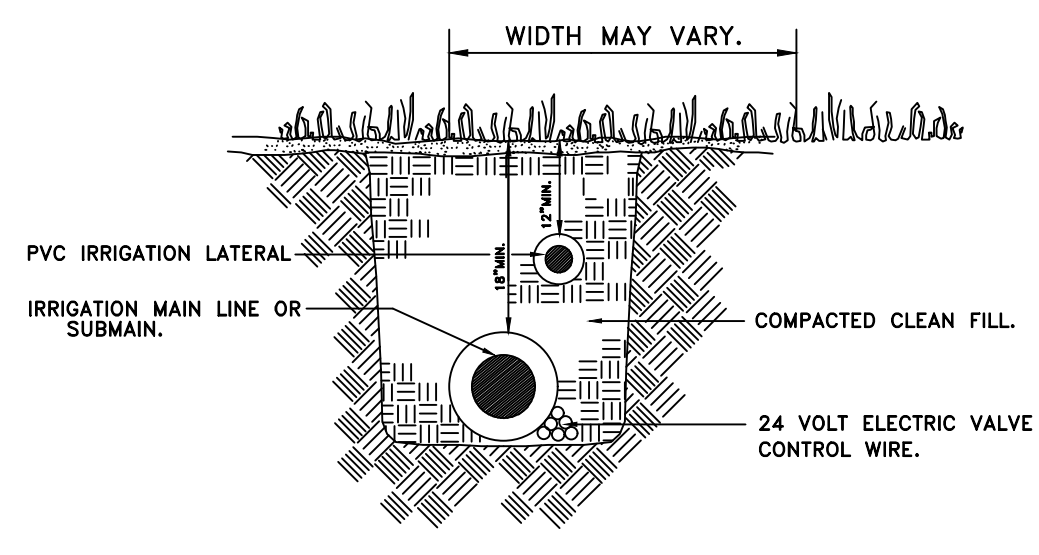


SHEET #
L-1



IRRIGATION NOTES:

- Material Requirements**
- All irrigation equipment shall be manufactured by **RANDRP** or approved equal.
 - Sleeves and joints shall be Schedule 40 PVC.
 - Wire shall be 1/2" AWG, provided with waterproof + weatherproof connections.
 - Valves shall be plastic, electric, remote control type with pressure regulation.
 - Valve boxes shall be thermoplastic, 1/2" round with lid green in color.
 - Controller shall be dual program computer type with battery back-up.
 - Irrigation system connected to proposed potable water line.
 - Spray heads shall be plastic, pop-up type with matched precipitation nozzles.
 - Rotor heads shall be plastic pop-up type with pressure compensating nozzles.
 - Heads located in turf areas shall be 4" pop-ups.
 - Heads located in ground cover areas shall be 12" pop-ups.
 - Heads located next to shrubs shall be installed on Schedule 40 risers.
- Selecting Sprinkler, Sizing Pipe + Valves**
- Sprinkler heads and nozzles shall be selected to minimize overspray onto pavement, buildings and walks.
 - Pipe shall be sized so that water flow never exceeds a velocity of 5 feet per second.
 - Valve size shall be 1".
 - Valves shall be installed in valve box arranged for easy adjustment and removal.
 - Zones for planting are low water use zones and zones for turf are moderate water use zones.
- Sprinkler Head Spacing Criteria**
- Triangular spacing of heads shall be used if possible.
 - Heads shall be spaced at head to head to provide 80% coverage.
- Installation Guidelines**
- Sprinklers shall be installed on flex pipe with min. 12" slack, or swing joints.
 - Risers shall be 4" above adjacent shrubs to allow for plant growth.
 - All pipe that will be installed under paving or walks shall be installed inside sleeves sized two sizes larger than pipe size.
 - Main lines depth shall be a minimum of 18", lateral lines depth shall be a minimum of 12" below finish grade.
 - Test main lines and valves for leaks before backfilling trenches to a hydrostatic pressure of 100 psi for one hour.
 - Perform operational testing after sprinkler heads have been adjusted to final position and site landscape installation is completed.
 - Adjust spray patterns, correct radius and clean nozzles before final inspection.
 - Note on Irrigation Plan all changes of pipe layout and sprinkler placement to create a record "as-built" irrigation plan and give plan to owner at completion.
 - Controller (battery operated) securely mounted on bldg wall in tamper proof box.
 - This is a code required irrigation plan. Irrigation Contractor is responsible to determine sizing of zones, pipe sizing and the placement of piping and valves and backflow preventor.
 - Cover drip pipe with mulch or pine straw. Drip pipe not to be buried.



ALL TRENCHES DEPTHS SHOWN ARE MINIMUM. IN THE EVENT THAT MINIMUM TRENCHING DEPTHS ARE NOT MET, THE TRENCHES SHALL BE RE-EXCAVATED.

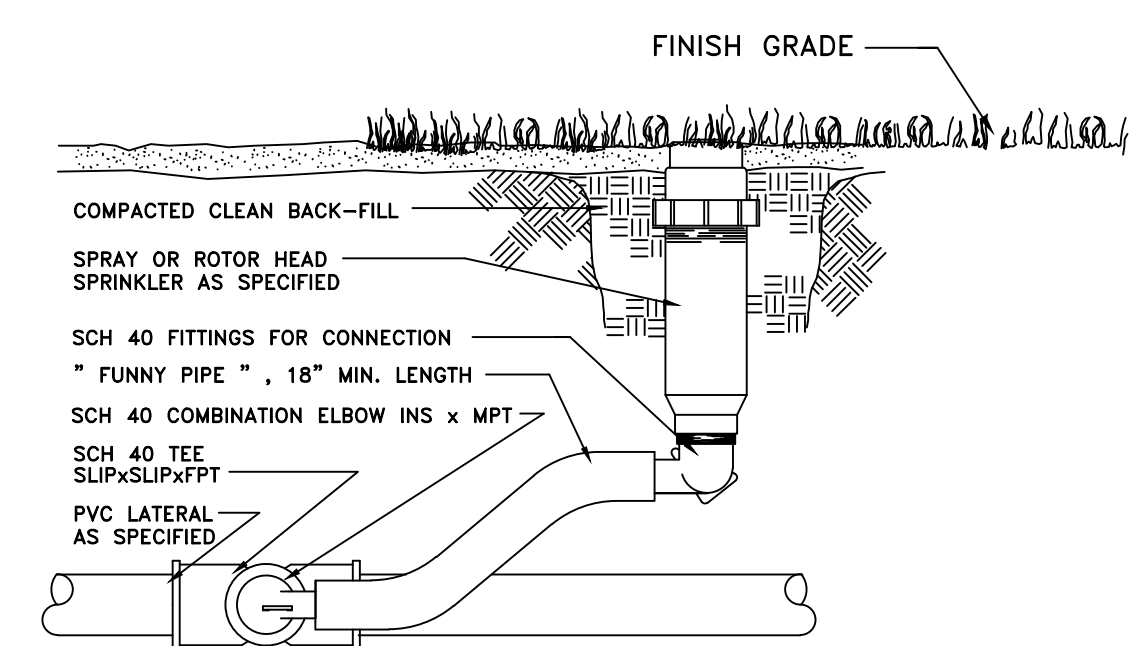
DEPTH MEASUREMENTS ARE TO BE DONE FROM FLUSH GRADE TO TOP OF PIPE.

PROVIDE A 6" MINIMUM VERTICAL SEPARATION BETWEEN MAIN LINE(S) AND LATERAL LINE(S).

ALL TRENCHES SHALL BE BACKFILLED WITH CLEAN SOIL FREE OF DEBRIS & NOXIOUS WEEDS. TRENCHES SHALL BE COMPACTED TO A 90% STANDARD PROCTOR DENSITY, ASTM D698-78.

PIPE PULLING THROUGH UN-TRENCHED SOIL IS NOT ALLOWED UNDER ANY CIRCUMSTANCE.

TYPICAL TRENCHING DETAIL
NTS



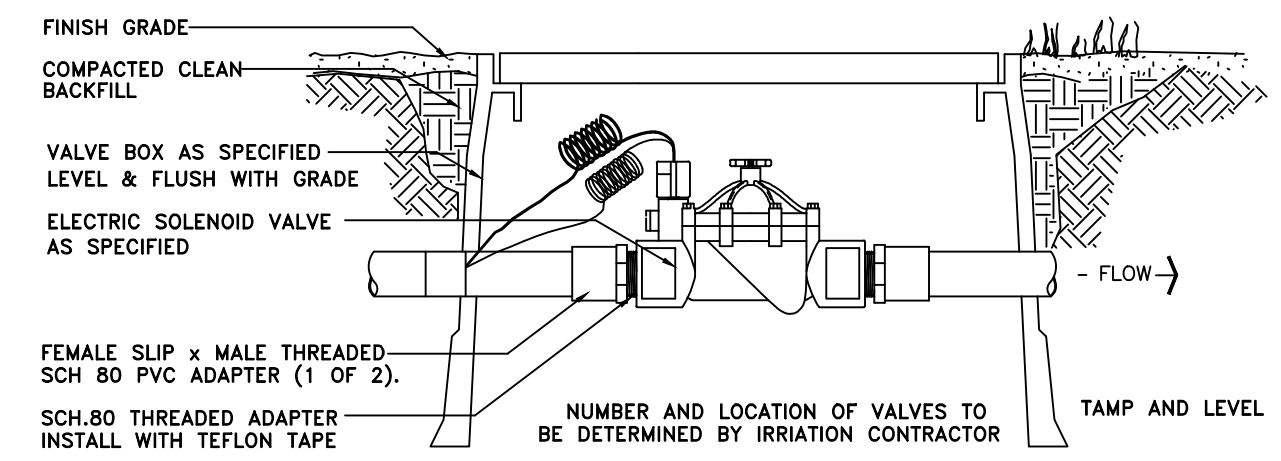
NOTES:

- NO SPRINKLER HEADS SHALL OCCUR WITHIN 6" OF SIDEWALKS, PAVED AREAS, BED LINES, AND 15" FROM BUILDINGS, OR OTHER STRUCTURES.
- IN THE EVENT OF OPERATION AT HIGH PRESSURE (65 PSI OR MORE) THE IRRIGATION CONTRACTOR SHALL CONNECT THE "FUNNY PIPE" TO THE BARBED FITTINGS WITH STAINLESS STEEL SCREW CLAMPS.

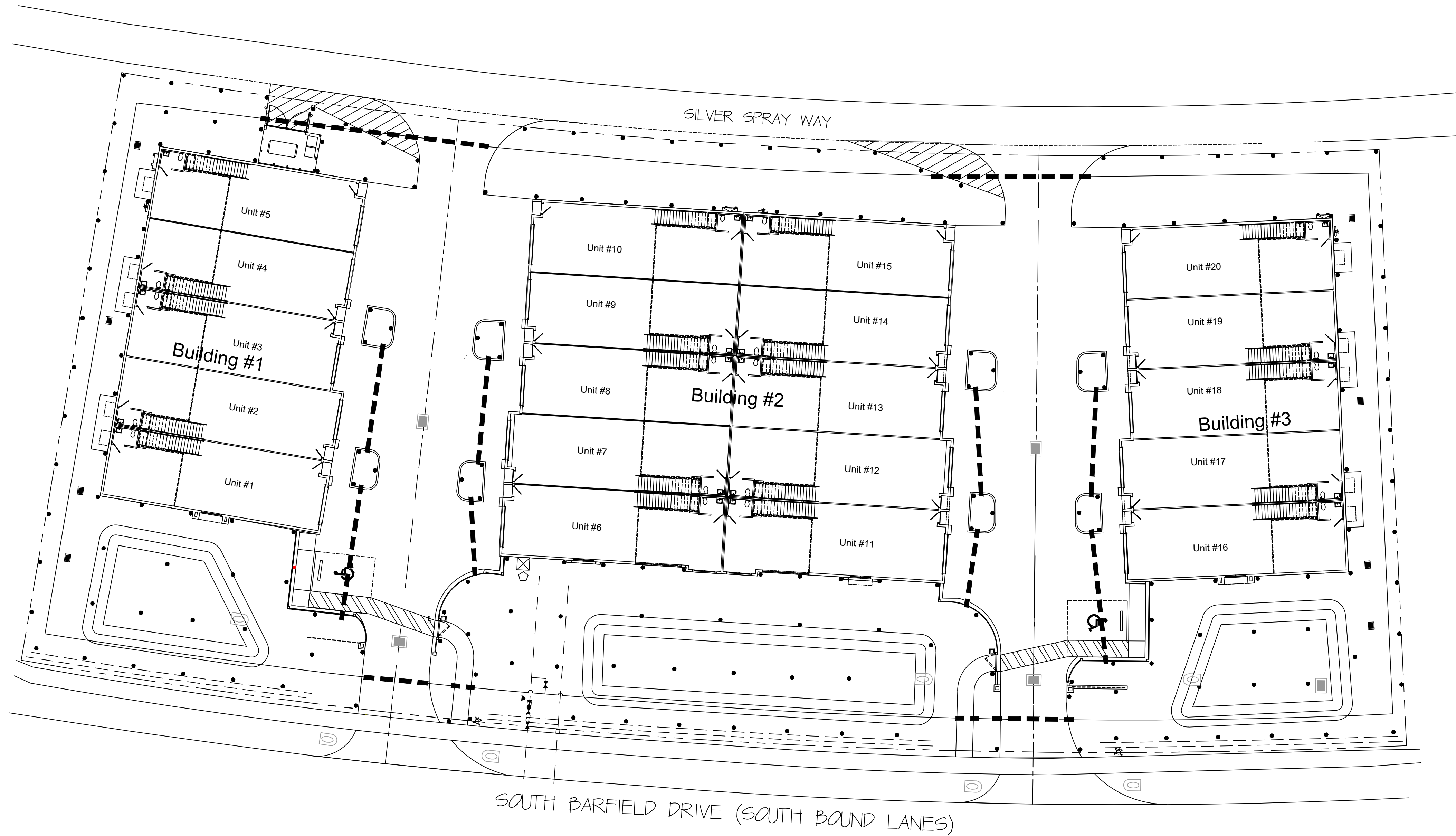
POP-UP SPRINKLER INSTALLATION DETAIL
NTS

IRRIGATION COMPONENTS LIST

Symbol	Model Number
--- (dashed line)	4" Schedule 40 PVC Sleeve Pipe 12" below paving subbase
— (solid line)	2" Schedule 40 Irr Mainline
- - - - (dotted line)	Drip Irrigation with emitters at 9' intervals
● (circle)	Pop up Sprinkler
⊗ (circle with cross)	Battery operated Controller (5+ zones)
○ (circle with dot)	Wireless Rain Sensor (battery operated)
⊘ (circle with X)	City Approved Back Flow Preventor



ELECTRIC SOLENOID VALVE INSTALLATION DETAIL
NTS



JEFF MOORE
LANDSCAPE ARCHITECT

Clearwater, Florida
239 572 0226

**CODE REQUIRED
IRRIGATION PLAN**

MARCO LUXE SDP
136-168 SOUTH BARFIELD DRIVE
CITY OF MARCO ISLAND, FLORIDA

SCALE: 1"=20'
DATE: 5/24
REVISIONS
REVIEW COMMENTS 6/24

SHEET #
L-2