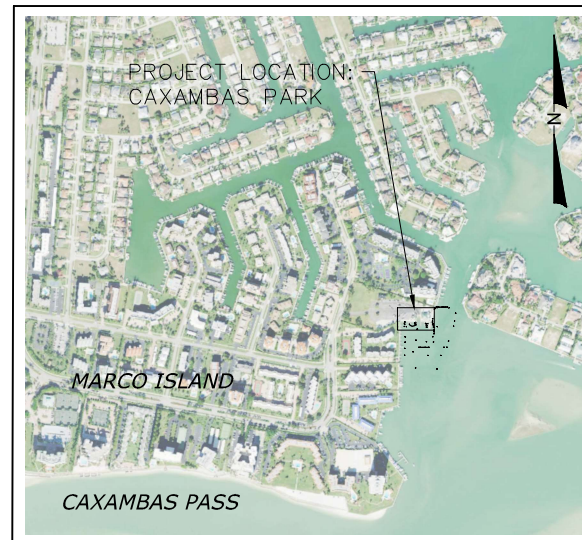
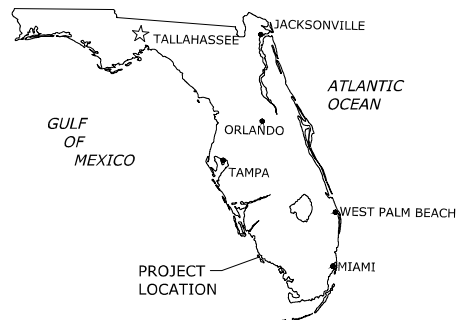


CAXAMBAS PARK COLLIER COUNTY SHERIFF'S OFFICE BOAT LIFT PROJECT

COLLIER COUNTY, FLORIDA
909 COLLIER COURT
MARCO ISLAND, FLORIDA 34145



Reviewed for code compliance
M Holden
01/22/2025 2:07:22 PM

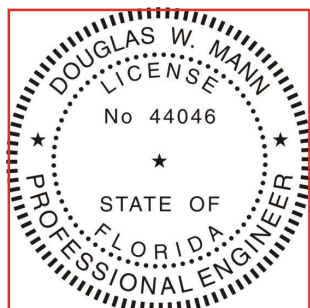
KEVIN RAMBOSK, SHERIFF

COLLIER COUNTY COMMISSION	
RICK LOCASTRO	DISTRICT 1
CHRIS HALL	DISTRICT 2
BURT L. SAUNDERS	DISTRICT 3
DAN KOWAL	DISTRICT 4
WILLIAM L. MCDANIEL, JR.	DISTRICT 5

INDEX TO SHEET	
CS-1	COVER SHEET
EC-1	EXISTING CONDITION/SURVEY PLAN VIEW
SV-1	2007 SUBMERGED STATE LAND LEASE
PV-1	PLAN VIEW
DT-1	DETAILS

CONSTRUCT PER ENVIRONMENTAL PERMITS
FDEP
FDEP LEASE: 110534215
USACE SAJ

PROJECT LOCATION DETAIL
SCALE: 1" = 1000'



This item has been digitally signed and sealed by Douglas W. Mann, P.E. on the specified date using a digital signature. Printed copies of this document are not considered signed and sealed and the signature must be verified on any electronic copies.

CERTIFICATION:

DOUGLAS W. MANN P.E. NO. 44046 _____ DATE _____

Aptim Environmental & Infrastructure, LLC
6401 CONGRESS AVENUE, SUITE 140
BOCA RATON, FLORIDA 33487
www.aptim.com
PH: (561) 391-4102
FAX: (561) 391-9116
C.O.A. #8851

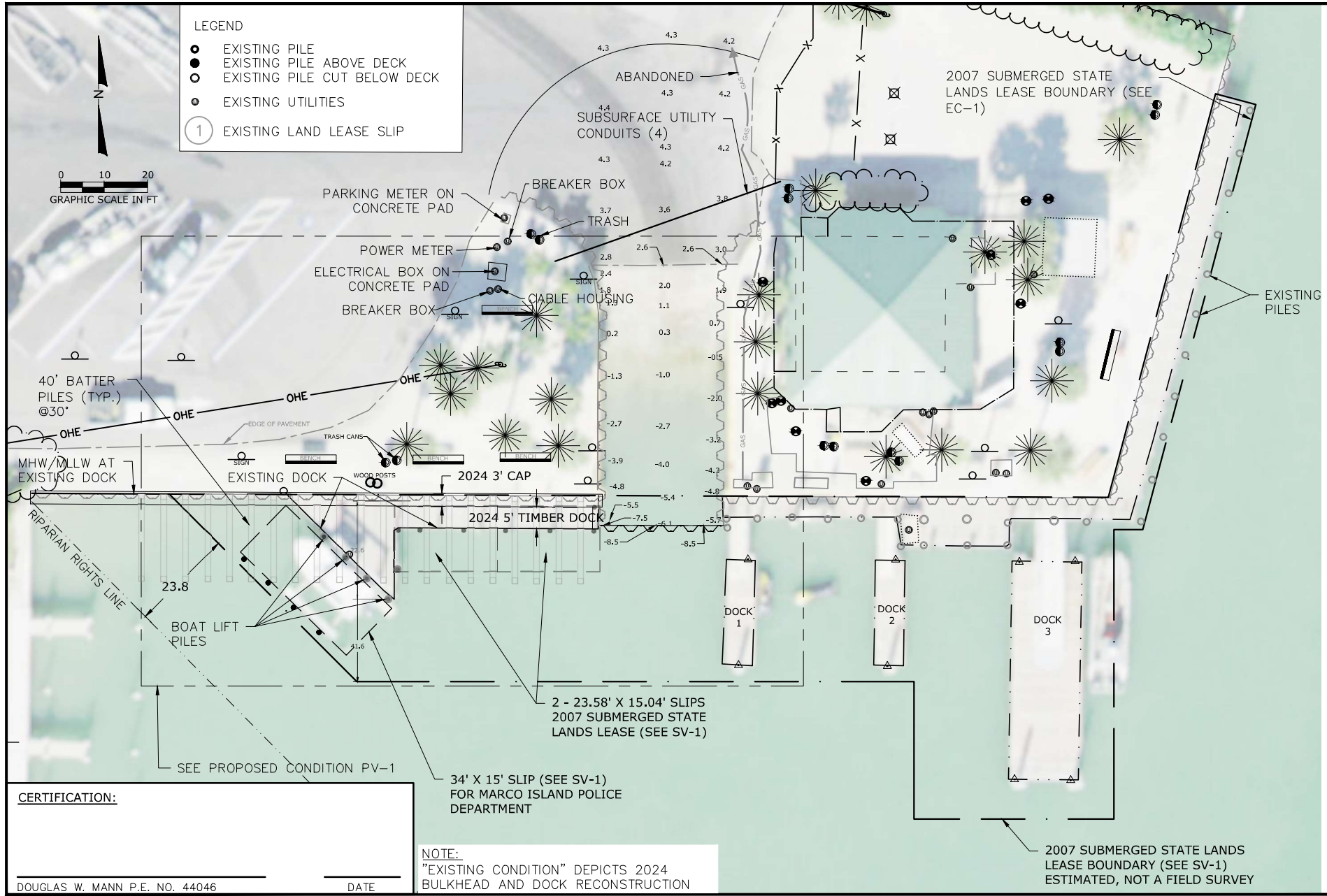
REVISIONS	Checked by	Designed by	Drawn by	Submitted by	Date	No.	Description
	DM	DM	DM	DM	08/10/24	01	

CAXAMBAS PARK
COLLIER COUNTY SHERIFF'S OFFICE
BOAT LIFT PROJECT

COVER SHEET

DRAWING NO. CS-1
SHEET 1 OF 6

P:\COLLIERCOUNTY\BOAT LIFT\DRAWINGS\REVISED\2025\COMMISSION-BOAT-LIFT-REVISED.dwg - Date: 1/22/2025 2:07:22 PM - P.E. STEPHEN



CERTIFICATION:

DOUGLAS W. MANN P.E. NO. 44046

DATE

REVISIONS	NO.	DATE	DESCRIPTION

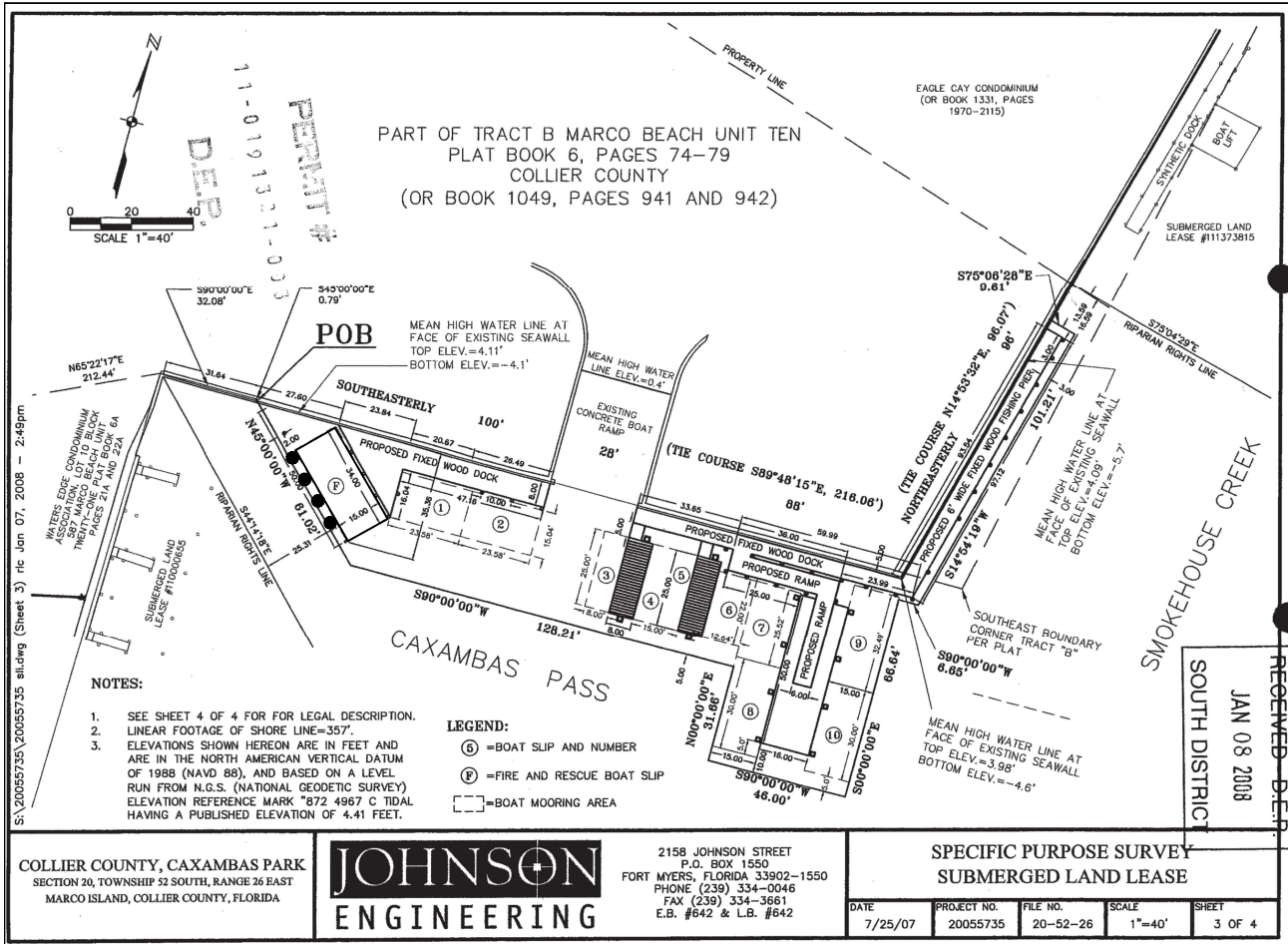
CAYAMBA PARK
COLLIER COUNTY SHERIFF'S OFFICE
BOAT LIFT PROJECT
EXISTING CONDITIONS
PLAN VIEW

DRAWING NO.

EC-1

SHEET 2 OF 6

P:\COLLIERCOUNTY\20055735\20055735 sub.dwg (Sheet 3) ric Jan 07, 2008 - 2:48pm



S:\20055735\20055735 sub.dwg (Sheet 3) ric Jan 07, 2008 - 2:48pm

NOTES:

1. SEE SHEET 4 OF 4 FOR LEGAL DESCRIPTION.
2. LINEAR FOOTAGE OF SHORE LINE=357'.
3. ELEVATIONS SHOWN HEREON ARE IN FEET AND ARE IN THE NORTH AMERICAN VERTICAL DATUM OF 1988 (NAVD 88), AND BASED ON A LEVEL RUN FROM N.G.S. (NATIONAL GEODETIC SURVEY) ELEVATION REFERENCE MARK "572 4987 C TIDAL HAVING A PUBLISHED ELEVATION OF 4.41 FEET.

LEGEND:

- ⑤ = BOAT SLIP AND NUMBER
- Ⓟ = FIRE AND RESCUE BOAT SLIP
- = BOAT MOORING AREA

COLLIER COUNTY, CAXAMBAS PARK
SECTION 20, TOWNSHIP 32 SOUTH, RANGE 36 EAST
MARCO ISLAND, COLLIER COUNTY, FLORIDA



2158 JOHNSON STREET
P.O. BOX 1550
FORT MYERS, FLORIDA 33902-1550
PHONE (239) 334-0046
FAX (239) 334-3661
E.B. #642 & L.B. #642

SUBMERGED LAND LEASE

DATE	PROJECT NO.	FILE NO.	SCALE	SHEET
7/25/07	20055735	20-52-26	1"=40'	3 OF 4

CERTIFICATION:

DOUGLAS W. MANN P.E. NO. 44046

DATE

Aptim Environmental & Infrastructure, LLC
6401 CONGRESS AVENUE, SUITE 140
BOCA RATON, FLORIDA 33487
www.aptim.com
PH: (561) 391-4102
FAX: (561) 391-9116
C.O.A. #8851

REVISIONS	Checked by	Designed by	Date	Drawn by	Submitted by	Date	Scale	No.	Description
	DM	DM		DM	DM				

CAXAMBAS PARK
COLLIER COUNTY SHERIFF'S OFFICE
BOAT LIFT PROJECT
2007 SUBMERGED
STATE LANDS LEASE

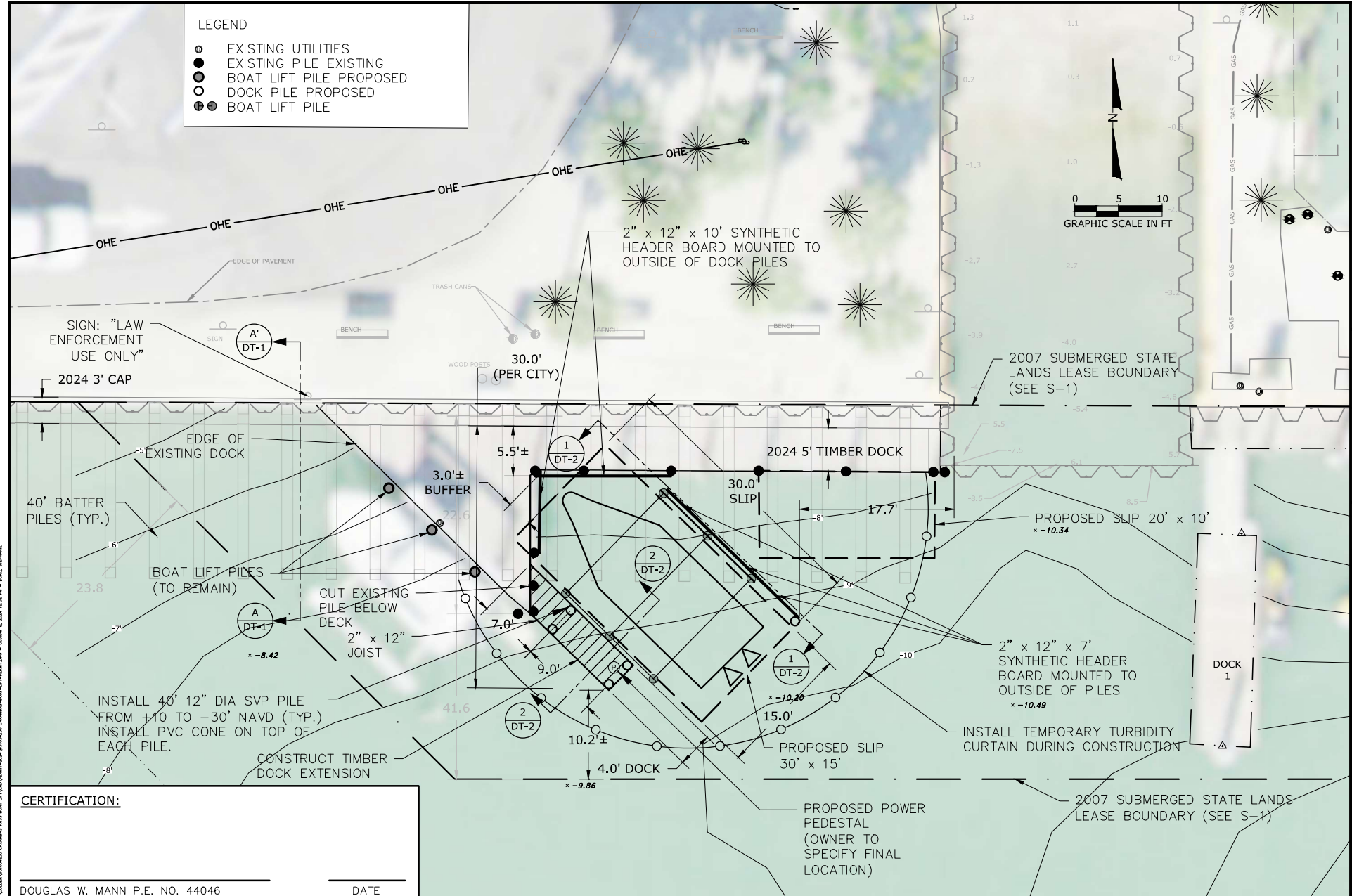
DRAWING NO.

SV-1

SHEET 3 OF 6

LEGEND

- EXISTING UTILITIES
- EXISTING PILE EXISTING
- BOAT LIFT PILE PROPOSED
- DOCK PILE PROPOSED
- BOAT LIFT PILE



CERTIFICATION:

_____ DOUGLAS W. MANN P.E. NO. 44046 _____ DATE _____

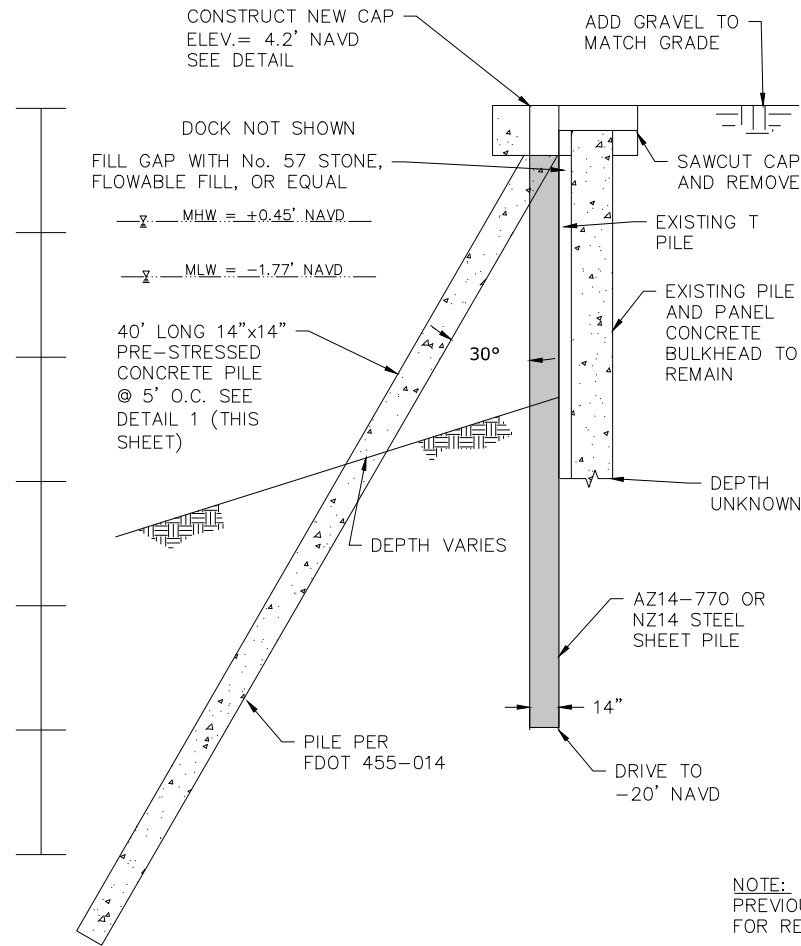
Aptim Environmental & Infrastructure, LLC
 6401 CONGRESS AVENUE, SUITE 140
 BOCA RATON, FLORIDA 33487
 PH: (561) 391-4102
 FAX: (561) 391-9116
 www.aptim.com
 C.O.A. #BBS1

REV.	DESCRIPTION	DATE

Checked by:	DM
Designed by:	DM
Drawn by:	JES
Date:	10/04/24
Project No.:	6310342.00
Phase:	AS NOTED

CAYAMBA'S PARK
 COLLIER COUNTY SHERIFF'S OFFICE
 BOAT LIFT PROJECT
 PROPOSED 30' SLIP TO NORTHWEST
 PLAN VIEW

DRAWING NO. **PV-1**
 SHEET 4 OF 6



**BULKHEAD REPLACEMENT
CROSS SECTION A-A'**
SCALE: 1" = 5'

NOTE:
PREVIOUSLY CONSTRUCTED.
FOR REFERENCE ONLY.

CERTIFICATION:

DOUGLAS W. MANN P.E. NO. 44046

DATE

REVISIONS

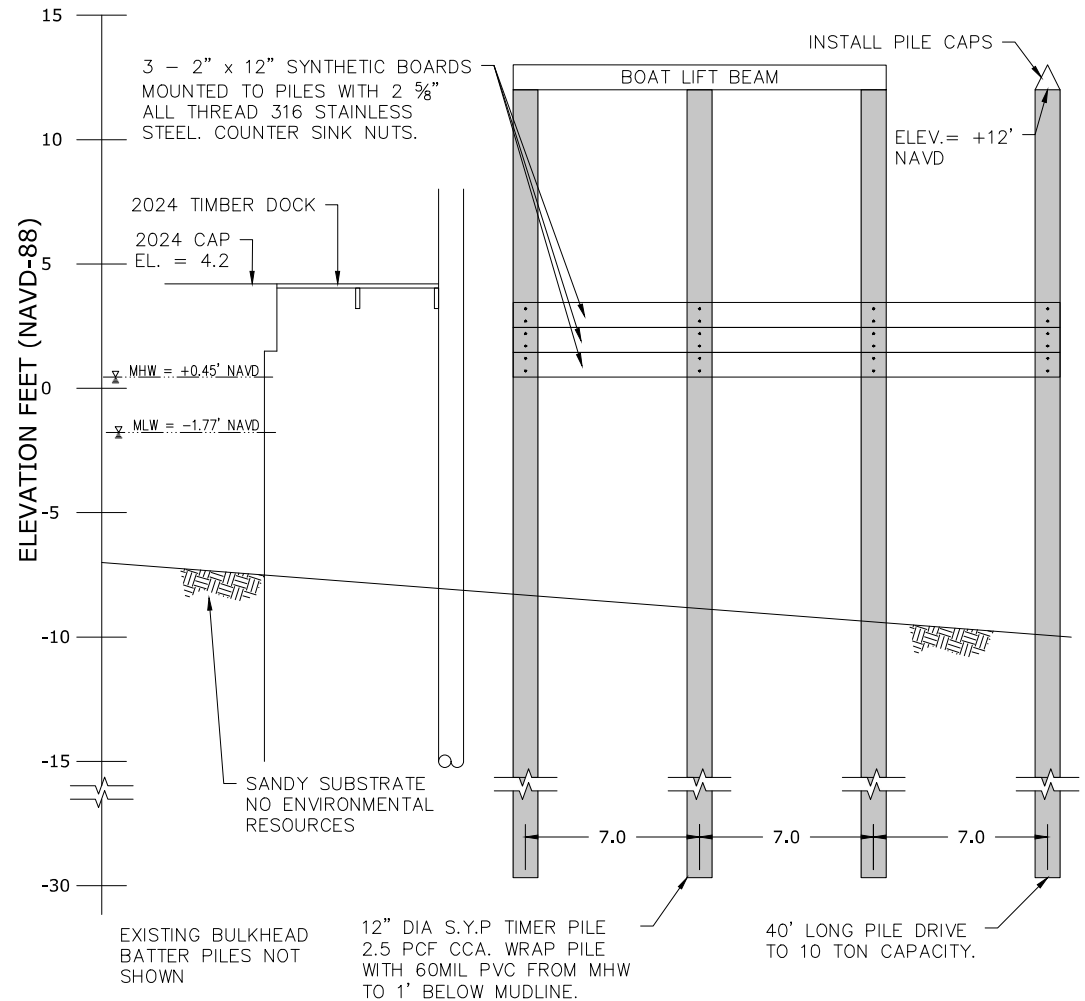
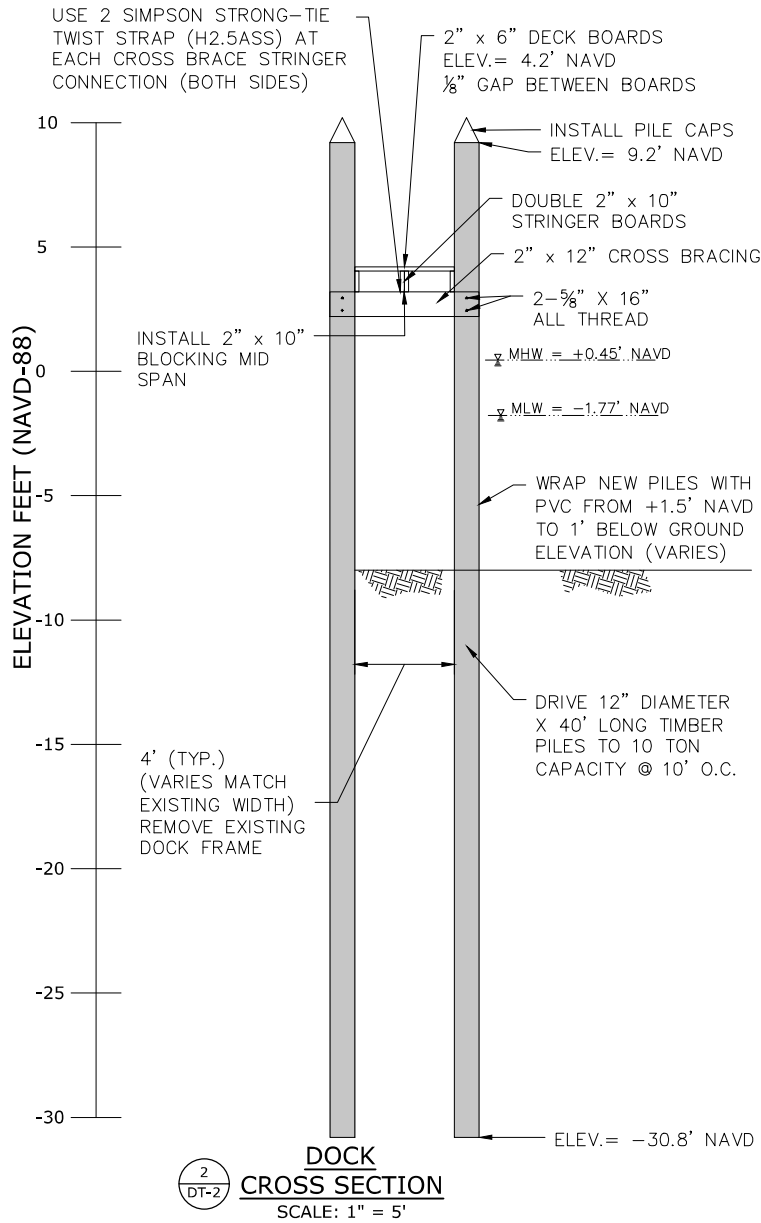
Checked by	Designed by	Submitted by	No.	Date	Description
DM	DM	DM	6.310.042.00	6/20/24	PAS NOTED

CAYAMBA PARK
COLLIER COUNTY SHERIFF'S OFFICE
BOAT LIFT PROJECT
BULKHEAD REPLACEMENT
REFERENCE SHEET

DRAWING NO.

DT-1

SHEET 5 OF 6



CERTIFICATION:

DOUGLAS W. MANN P.E. NO. 44046

DATE

Aptim Environmental & Infrastructure, LLC
PH: (850) 291-4102
FAX: (850) 291-9116
C.O.A. #8851

6401 CONGRESS AVENUE, SUITE 140
BOCA RATON, FLORIDA 33487
www.aptim.com

Revisions	Checked by	Designed by	Drawn by	Date	Submitted by	Submitted Date	No.	Desc
	DM	DM	DM	10/04/24	DM	6.310.42.20		

Reference files: PAS NOTED

CAYAMBA PARK
COLLIER COUNTY SHERIFF'S OFFICE
BOAT LIFT PROJECT

DOCK REPLACEMENT
REFERENCE SHEET

DRAWING NO.
DT-2

SHEET 6 OF 6